

 Search

[Home](#) [Valve lockout](#) [Why Pro-Lock](#) [Special Pro-Locks](#) [Padlocks & Hasps](#) [Polypropylene Seals](#) [Cable Seals](#) [Prices](#) [Contact Us](#)

Pro-lock Valve Lockout

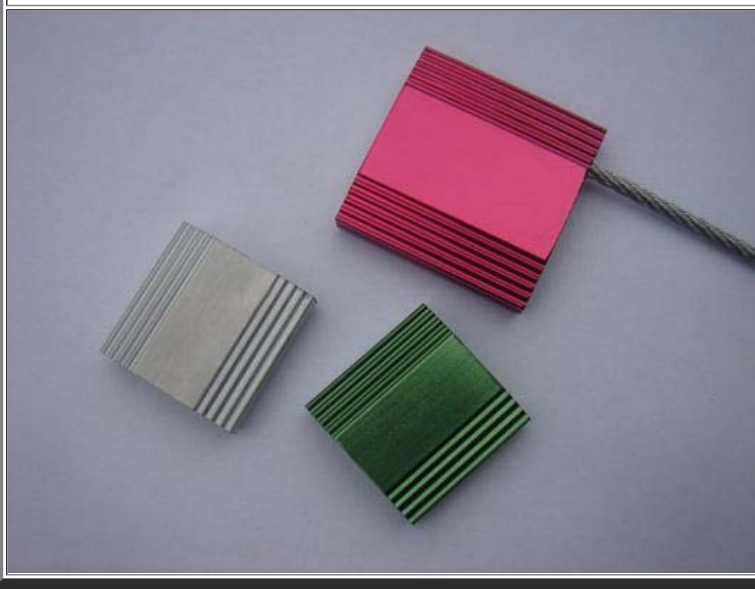
ALUMINIUM, ZINC CAST, and STAINLESS STEEL CABLE SEALS for VALVE LOCKOUT FROM PRO - LOCK

[Polyprop Security Seals](#)

The New Generation of Security Seals Cable Lock (No "break-off" Key Required)

- PR-MCC250-300 (Self Coloured)**
- PR-MCR250-300 (Red)**
- PR-MCG250-300 (Green)**
- PR-MCC250-500 (Self Coloured)**
- PR-MCR250-500 (Red)**
- PR-MCG250-500 (Green)**

Cable Lock, 300 or 500 mm long, 2.5mm-3.0mm cable dia, aluminum multi-purpose, cable seal. - Steel locking mechanism, and steel wire. - sequentially numbered, and marked 'Pro-lock' SELF COLOURED, RED or GREEN



PR-TPC200-1M (Self Coloured)
 PR-TPR200-1M (Red)
 PR-TPG200-1M (Green)

1M long, 2.0mm cable dia, aluminum multi-purpose, cable seal. - Steel locking mechanism, and steel wire, marked Pro-lock and sequentially numbered, SELF COLOURED, RED, or GREEN



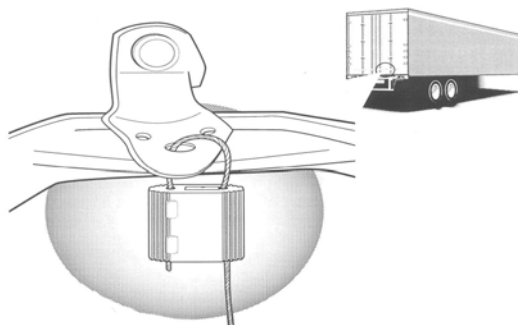
Heavy Duty Pull-Through Cable Seals

These are multi-purpose, versatile, heavy duty cable seals. They are built tough with a steel locking mechanism, that provides the user with a high level of physical security.

The steel wire is available in 2.0mm, and 2.5mm diameter, in various lengths to fit countless types of applications.

- # Laser marking of company logo's and sequential numbering
- # US Customs approved & HM Customs Accepted
- # Available in cable sizes : 2.0mm, and 2.5mm
- # Optional : Longer length cable available
- # Strong metal construction. Steel cable and rust proof aluminium or stainless steel bodies
- # Very suitable for transportation security applications
- # Very competitive pricing

Main Applications



Valve Lockout - Containers - Tanks - Drums - Boxes - Cash bags - etc.

Note: For Valve Lockout, first consider the Pro-lock Valve Lockout System

Prices vary depending on chosen configuration. Please call or [email](#)

[Polyprop Security Seals](#) - [Zinc Cast Cable Seals](#) - [Aluminium and Stainless Steel Cable Seals](#)

Padlocks and Seals	
All Brass Padlocks	Polypropylene Numbered Security Seals
Aluminium, Zinc Cast, and Stainless Steel Numbered Cable Seals 2.0mm - 3.0mm	Zinc Cast Body Numbered Security Seals 1.6mm

[Pro-lock Valve Lockout Home Page](#)

Home	Valve Lockout	Benefits	Special Pro-locks	Padlocks & Hasps	Polypropylene Seals	Cable Seals	Prices	Contact
	Ball Valve LO	Benefits of Pro-lock	Large and Hex head	Brass	Standard	Aluminium Cable Seals	Prices	
	Gate Valve LO	Operating Instructions	Stainless Steel	Xenoy	Large Flag	Zinc Cast Cable Seals	Terms	
	Butterfly Valve LO	Specification	Security	Stainless Steel	Isolation Tag Seals	Stainless Steel Seals	Payment	
	Needle Valve LO	Testing						

[Top of Page](#)

[Site Map](#) - [Search](#) - [Terms](#) © 2010 Pro-Lock Valve Lockout Ltd.

PRO-LOCK VALVE LOCKOUT LTD.
 UNIT 4, THE OLD COAL YARD • HALL GATE LN • PREESALL • LANCS • FY6 0PJ • U.K.
 Tel: +44 (0)1253-811333 • Fax:+44 (0)1253-813030 • E-mail: info@pro-lock.co.uk